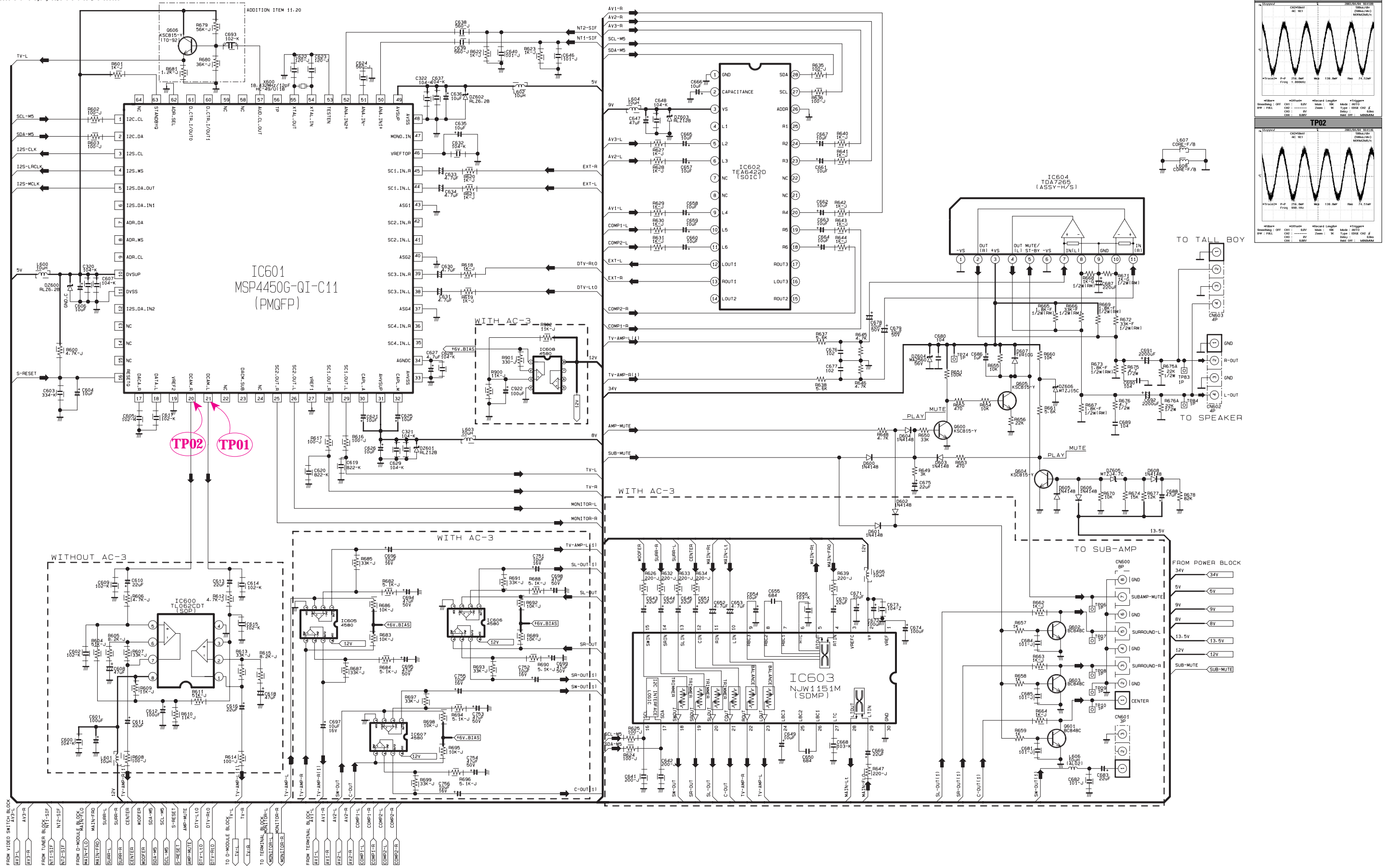


6. Schematic Diagrams

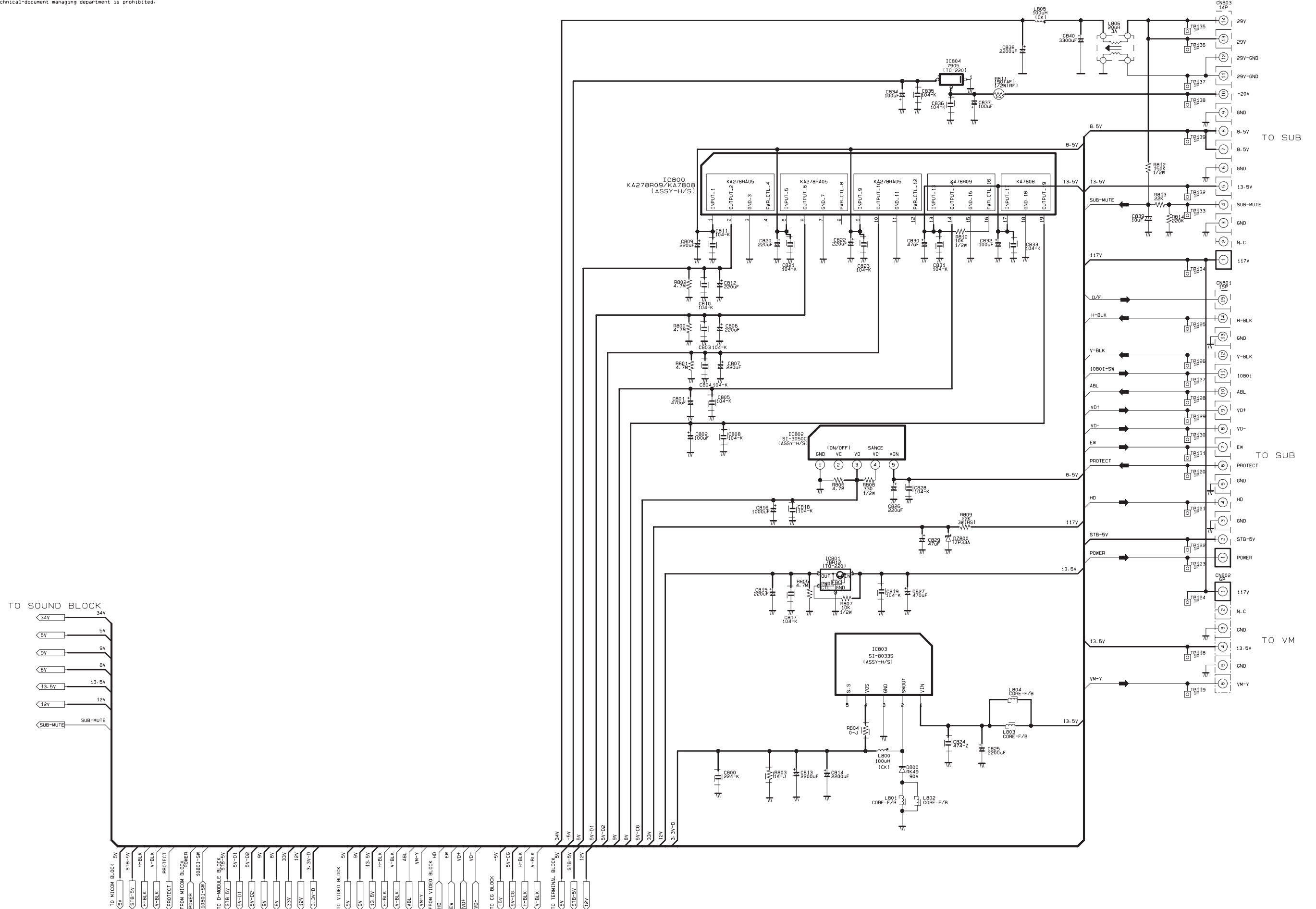
6-1 MAIN-1

This drawing is property of SEC
Use or copy of this drawing without proper permission from the appropriate
technical-document department is prohibited.

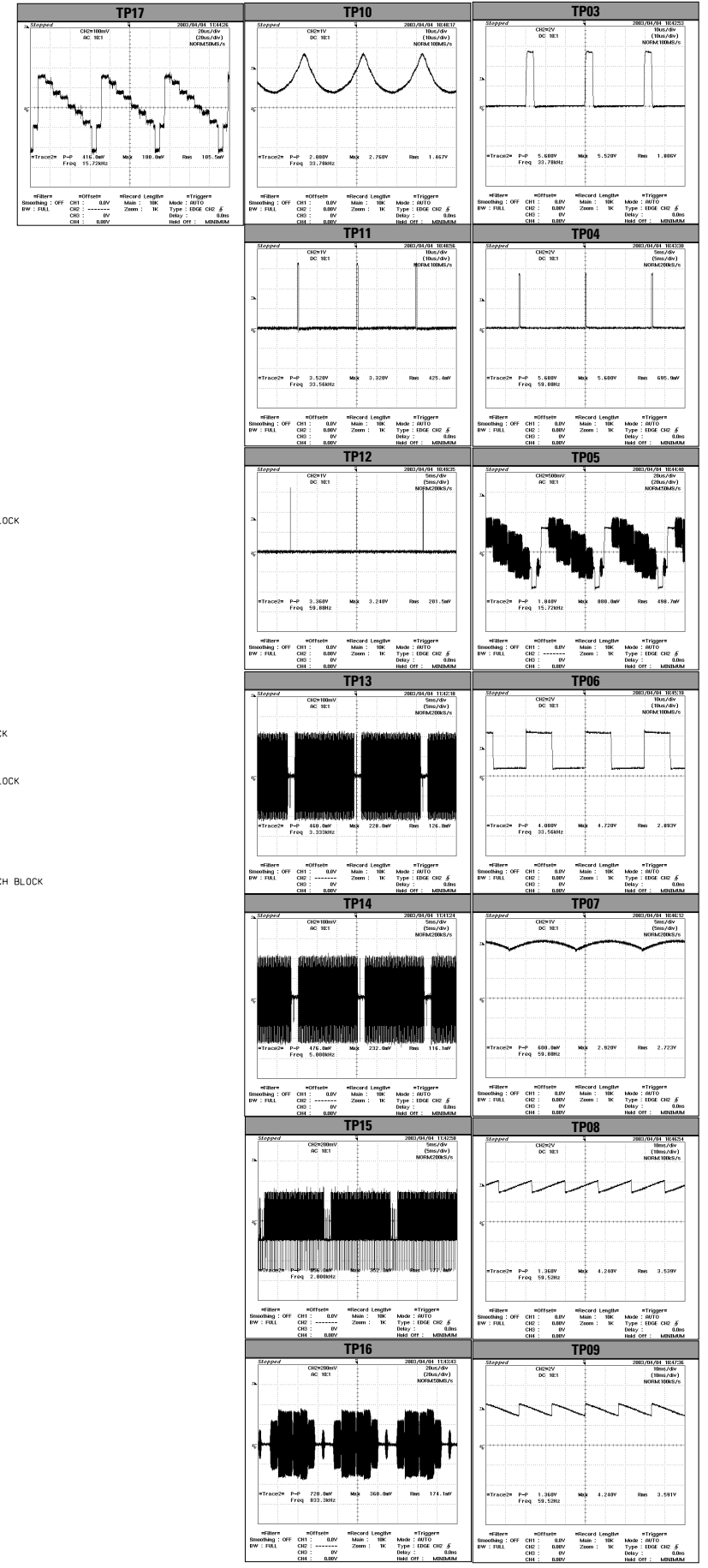
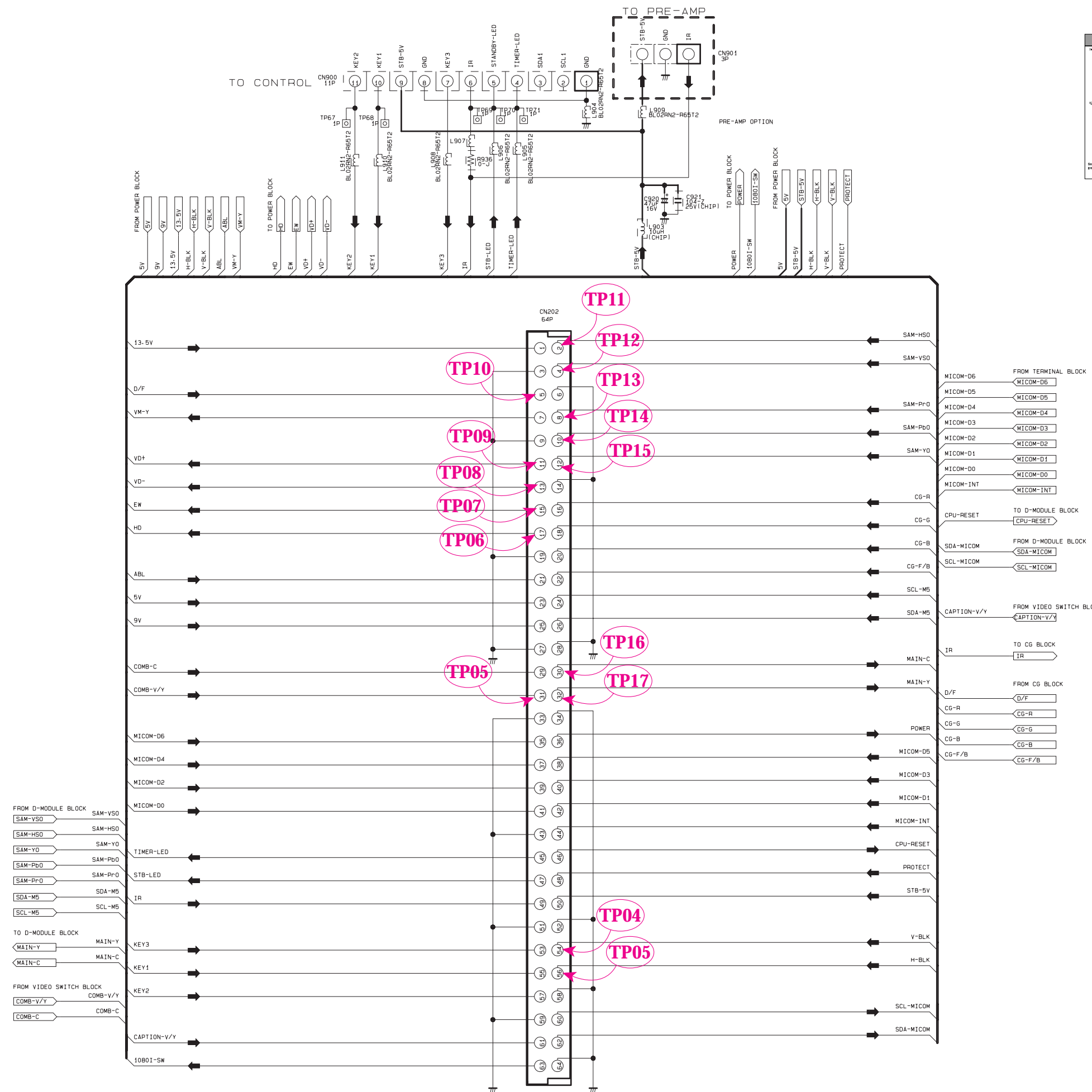


6-2 MAIN-2

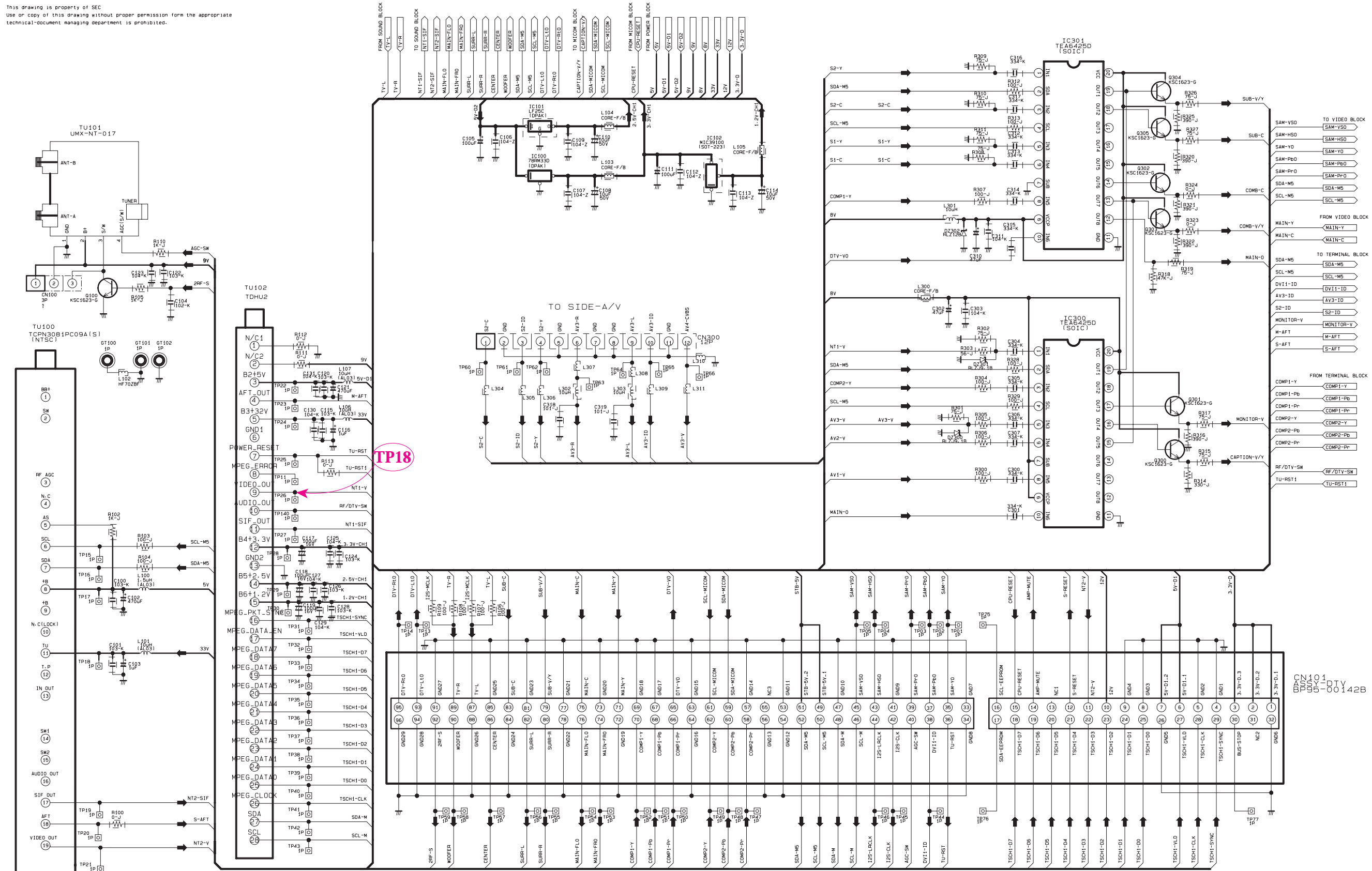
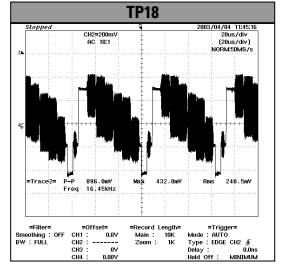
This drawing is property of SEC
 Use or copy of this drawing without proper permission from the appropriate
 technical document managing department is prohibited.



6-3 MAIN-3

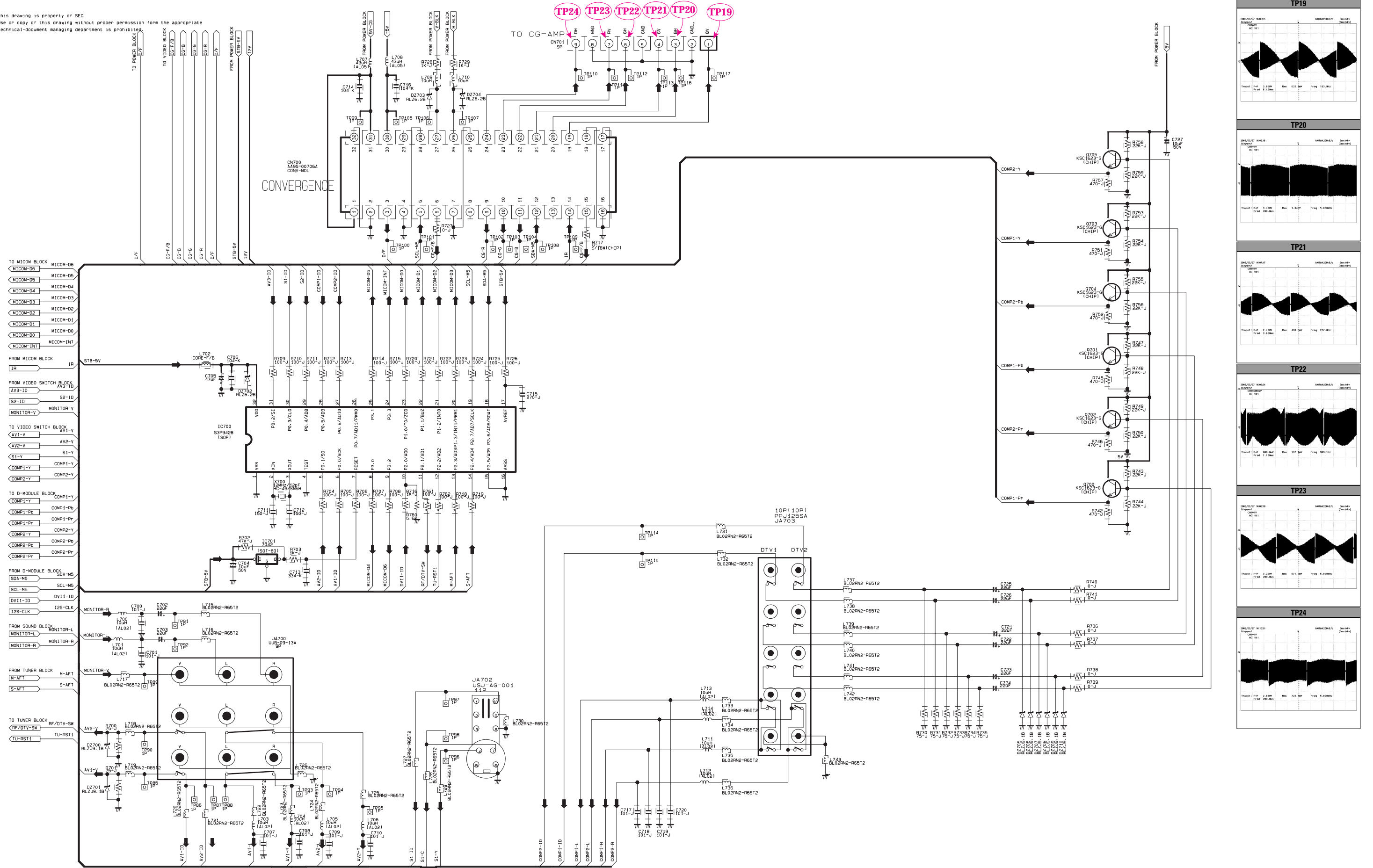


This drawing is property of SEC
Use or copy of this drawing without proper permission from the appropriate
technical-document managing department is prohibited.



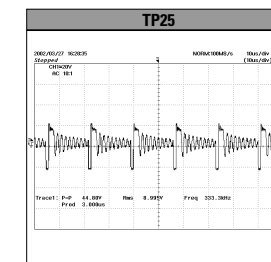
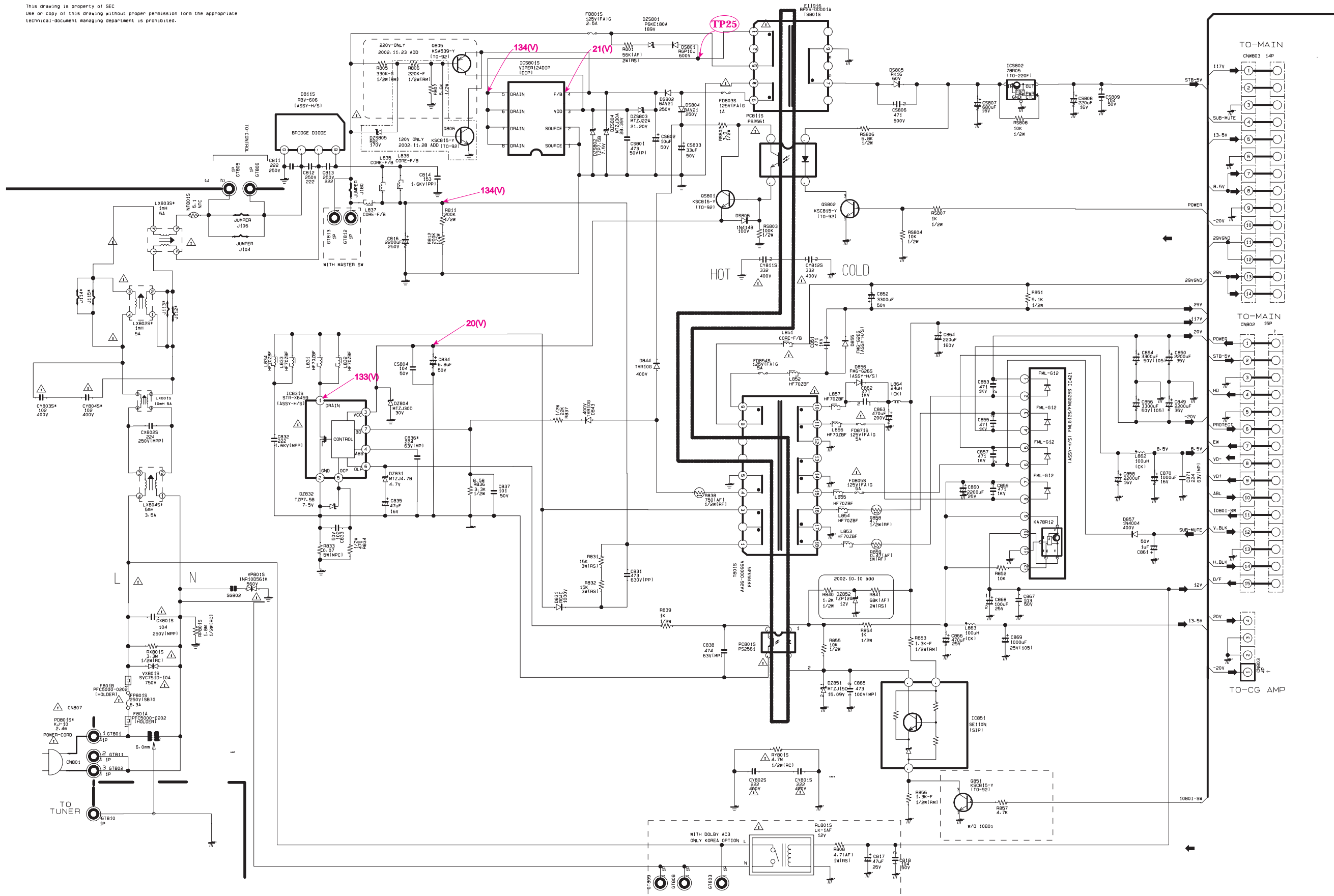
6-5 MAIN-5

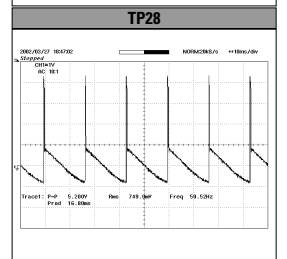
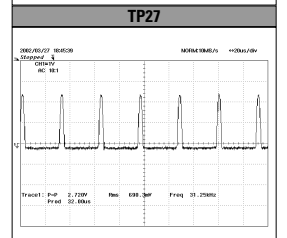
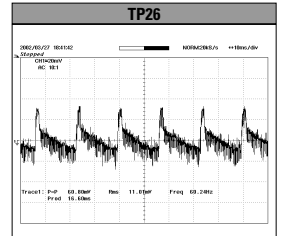
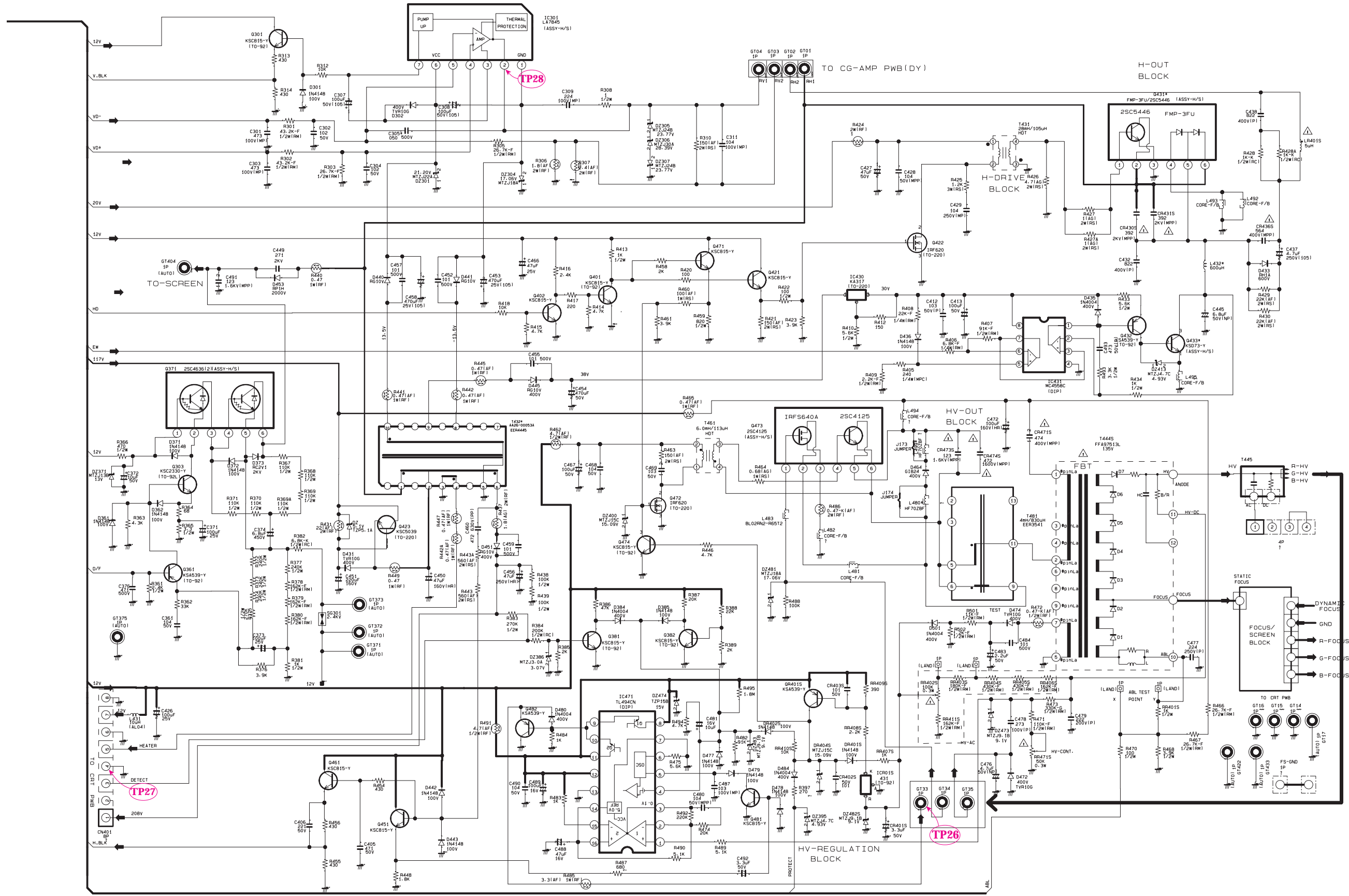
This drawing is property of SEC
Use or copy of this drawing without proper permission from the appropriate
technical-document managing department is prohibited.



6-6 SUB-1

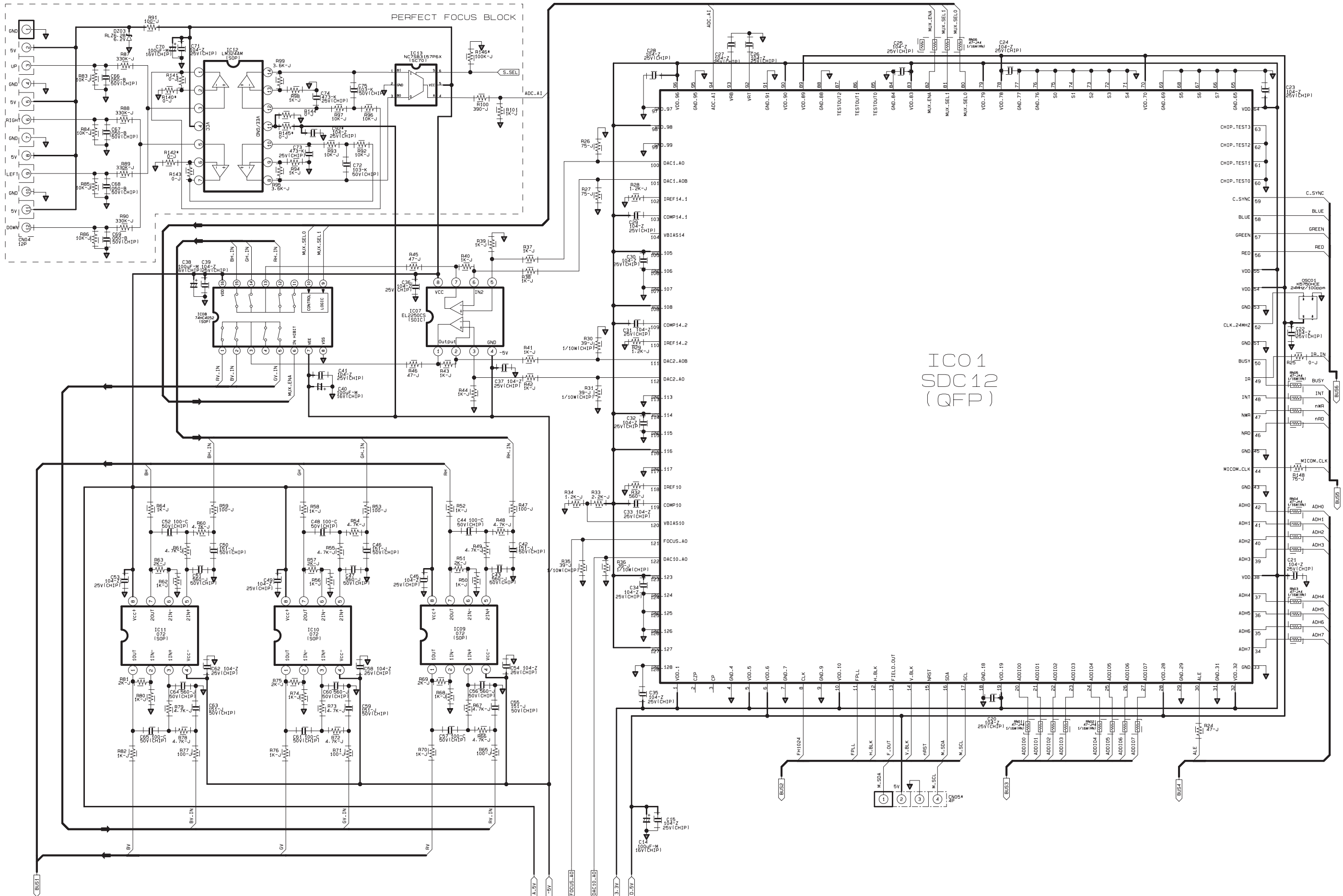
This drawing is property of SEC.
Use or copy of this drawing without proper permission from the appropriate
technical-document managing department is prohibited.





6-8 CG MDL-1

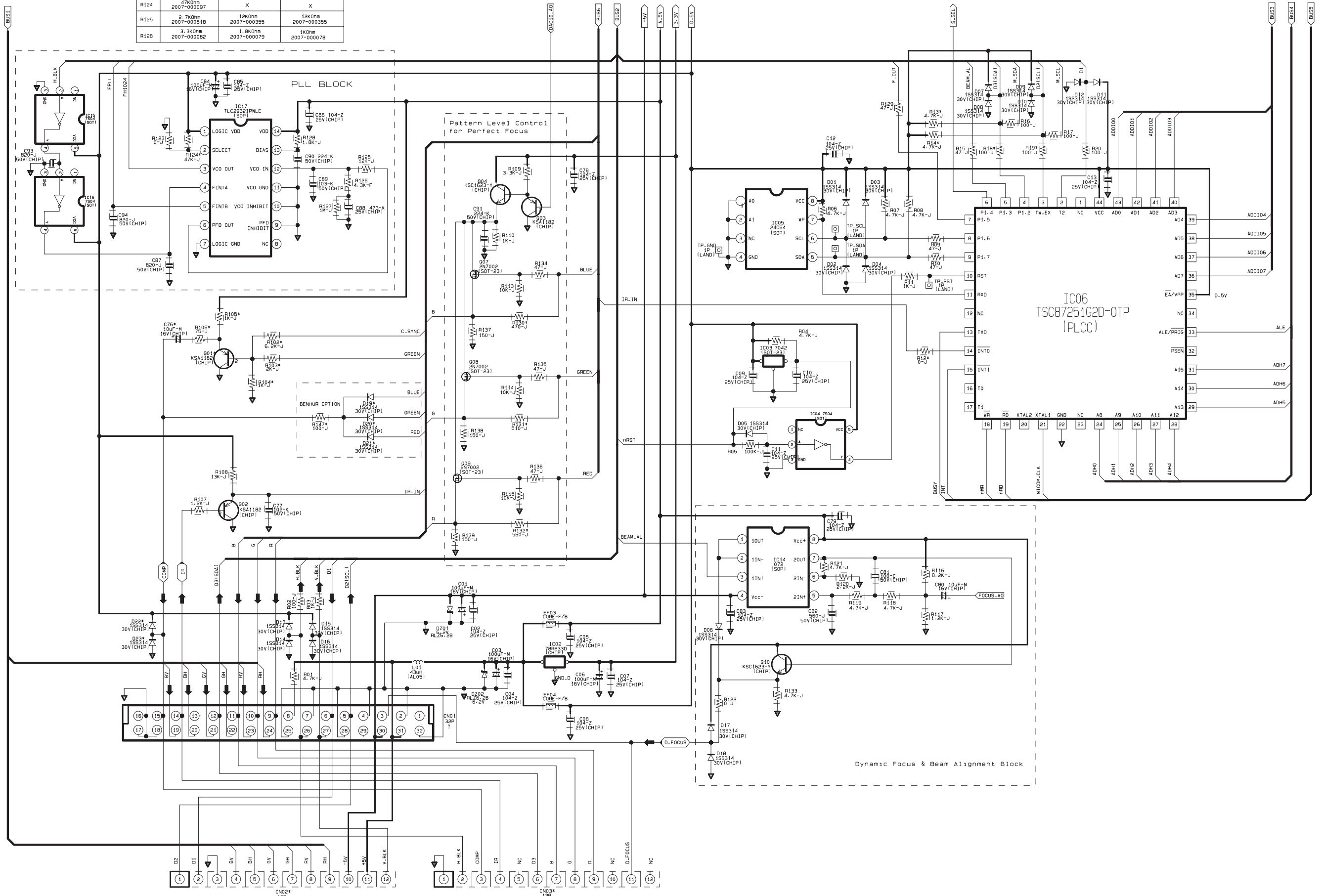
This drawing is property of SEC
 Use or copy of this drawing without proper permission from the appropriate
 technical-document managing department is prohibited.

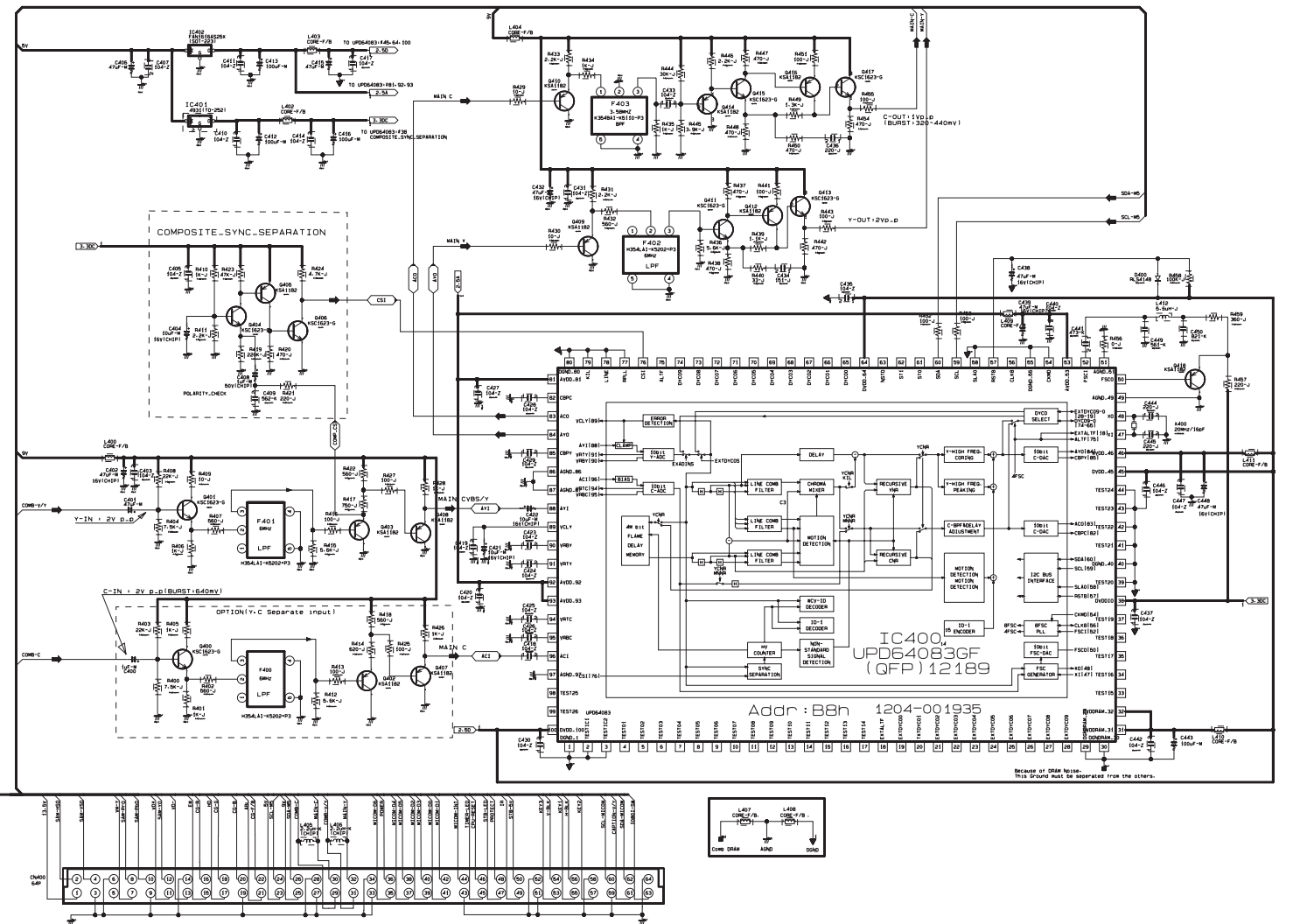
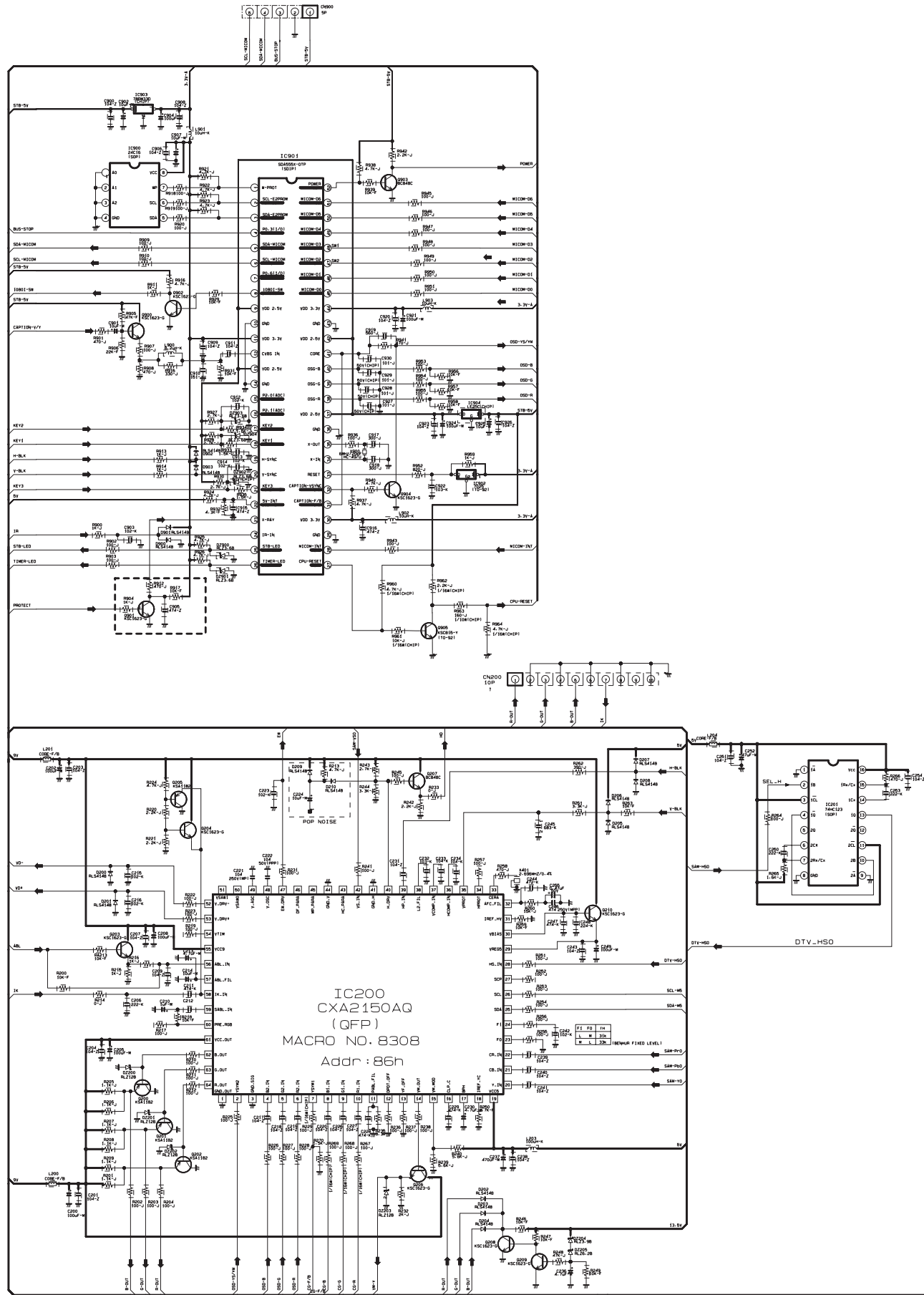


6-9 CG MDL-2

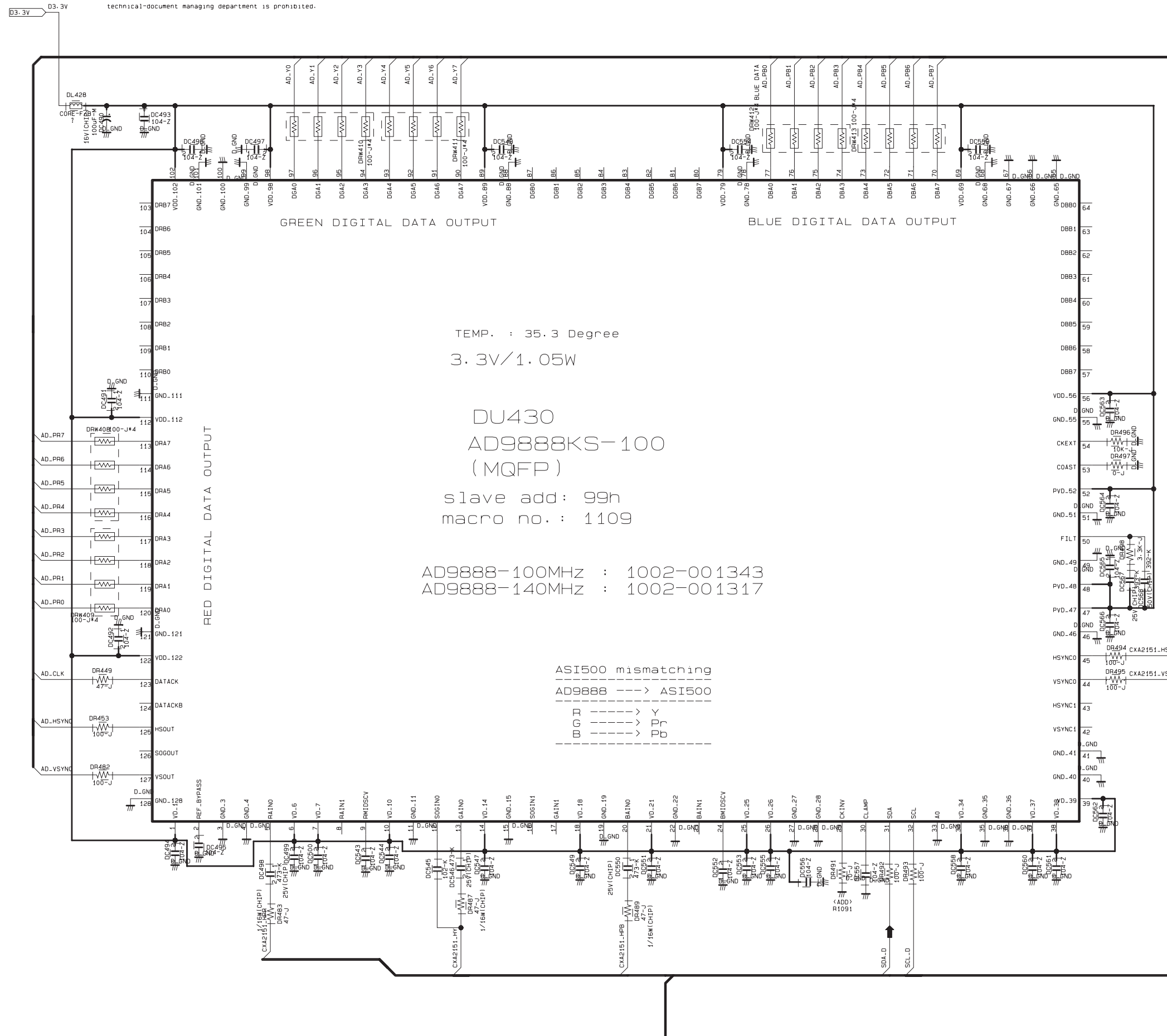
This drawing is property of SEC
 Use or copy of this drawing without proper permission from the appropriate
 technical-document managing department is prohibited.

| | 1H | 2H | 3H |
|------|------------------------|------------------------|-----------------------|
| R123 | X | 00nm 2007-000070 | 00nm 2007-000070 |
| R124 | 47kOhm 2007-000097 | X | X |
| R125 | 7.7kOhm 2007-000518 | 12kOhm 2007-000395 | 12kOhm 2007-000395 |
| R126 | 3.3kOhm 2007-000082 | 1.8kOhm 2007-000079 | 1kOhm 2007-000078 |



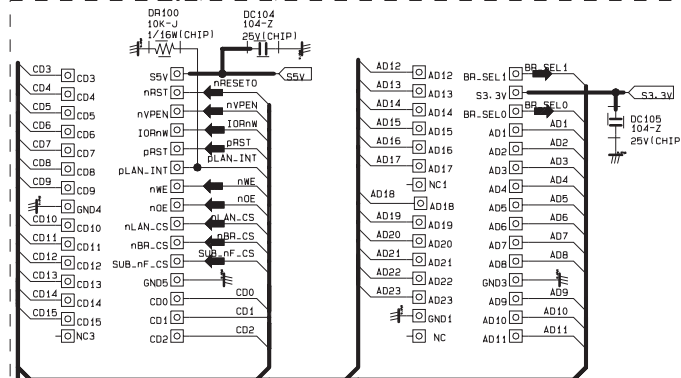


This drawing is property of SEC
Use or copy of this drawing without proper permission from the appropriate
technical-document managing department is prohibited.

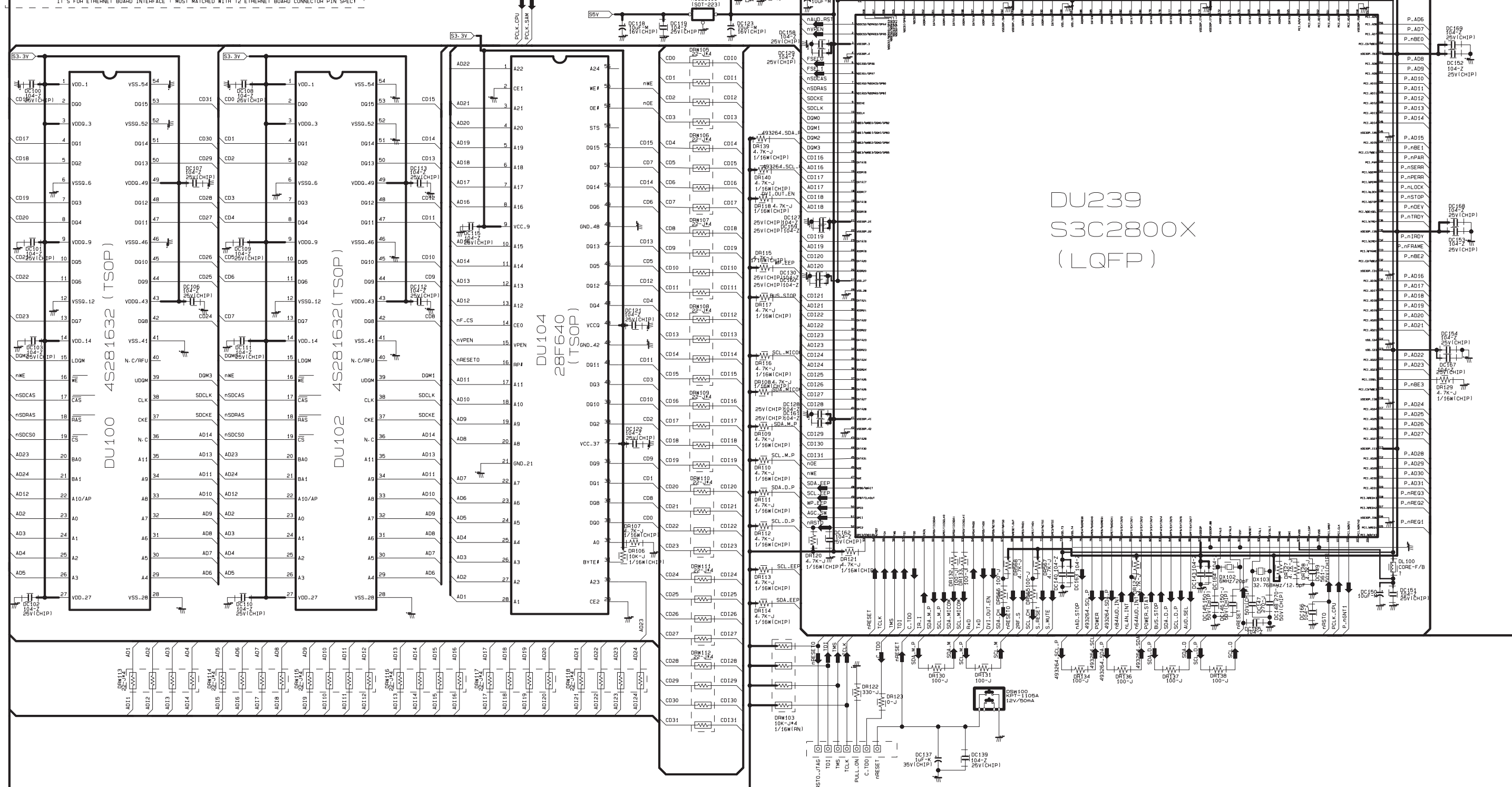


6-12 D-MDL-2

This drawing is property of SEC
Use or copy of this drawing without proper permission from the appropriate
technical document managing department is prohibited.

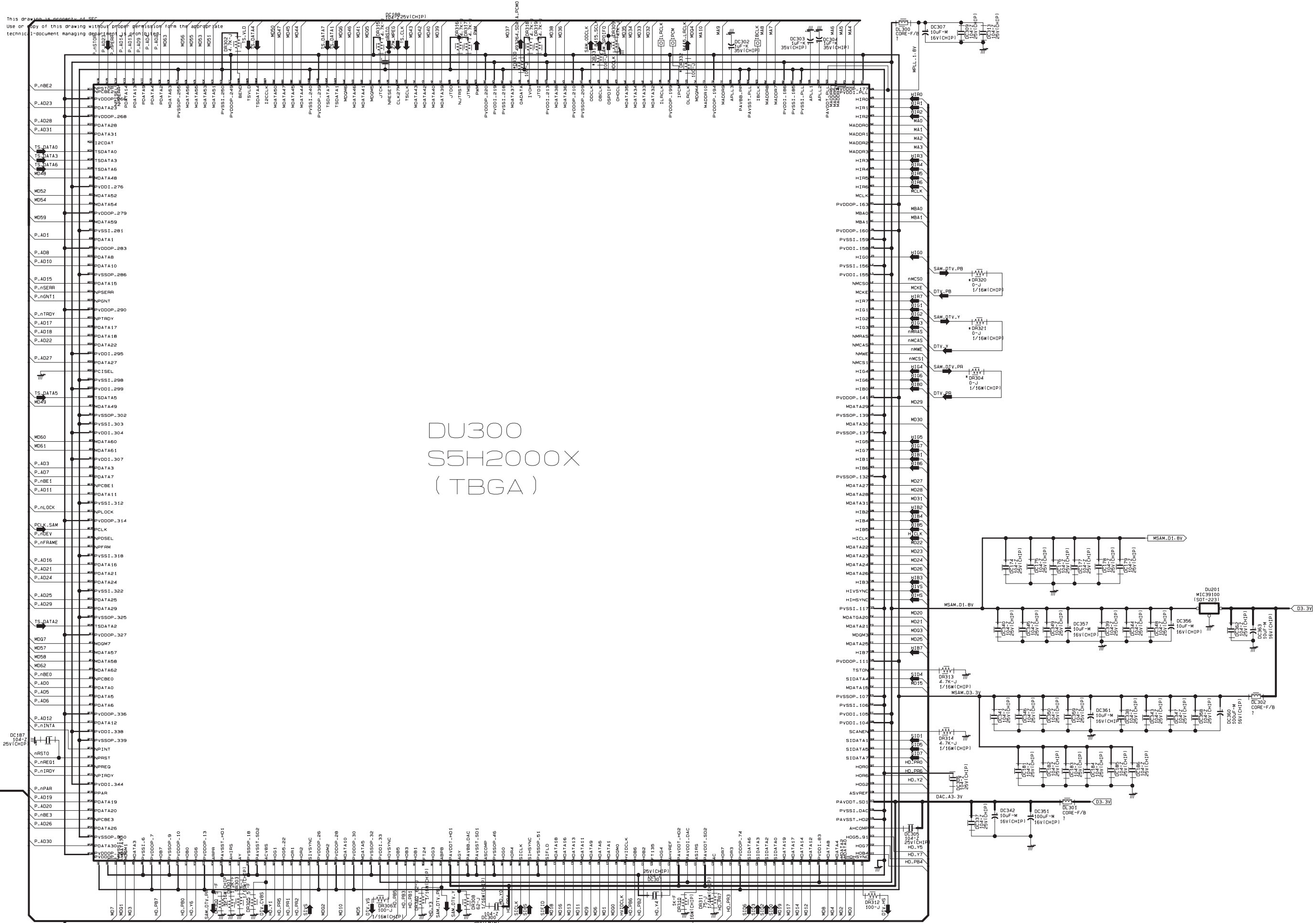


IT'S FOR ETHERNET BOARD INTERFACE. MUST MATCHED WITH T2 ETHERNET BOARD CONNECTOR PIN SPEC!



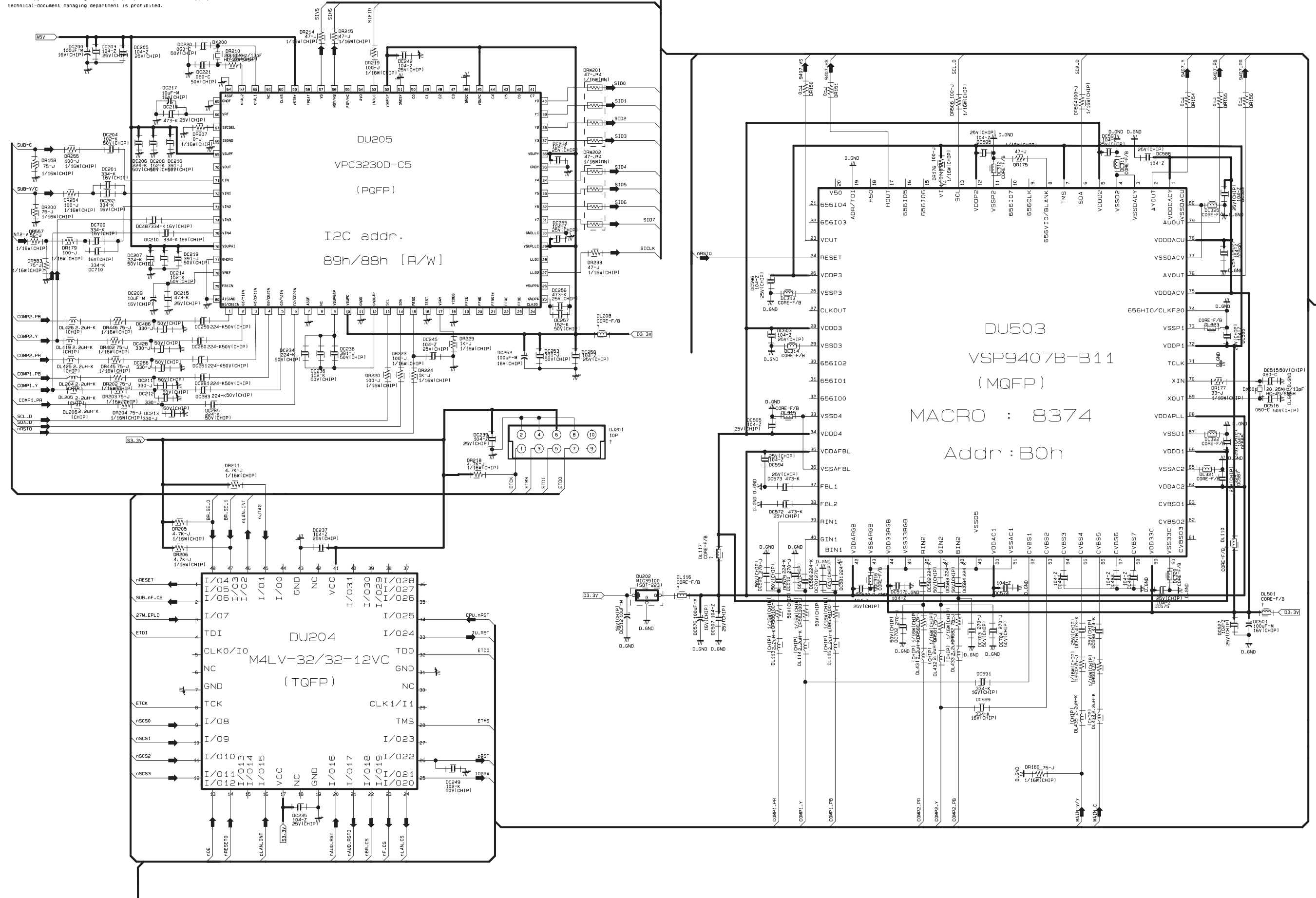
6-13 D-MDL-3

This drawing is property of SEC
Use on any of this drawing without proper permission from the appropriate
technical document manager or document manager.



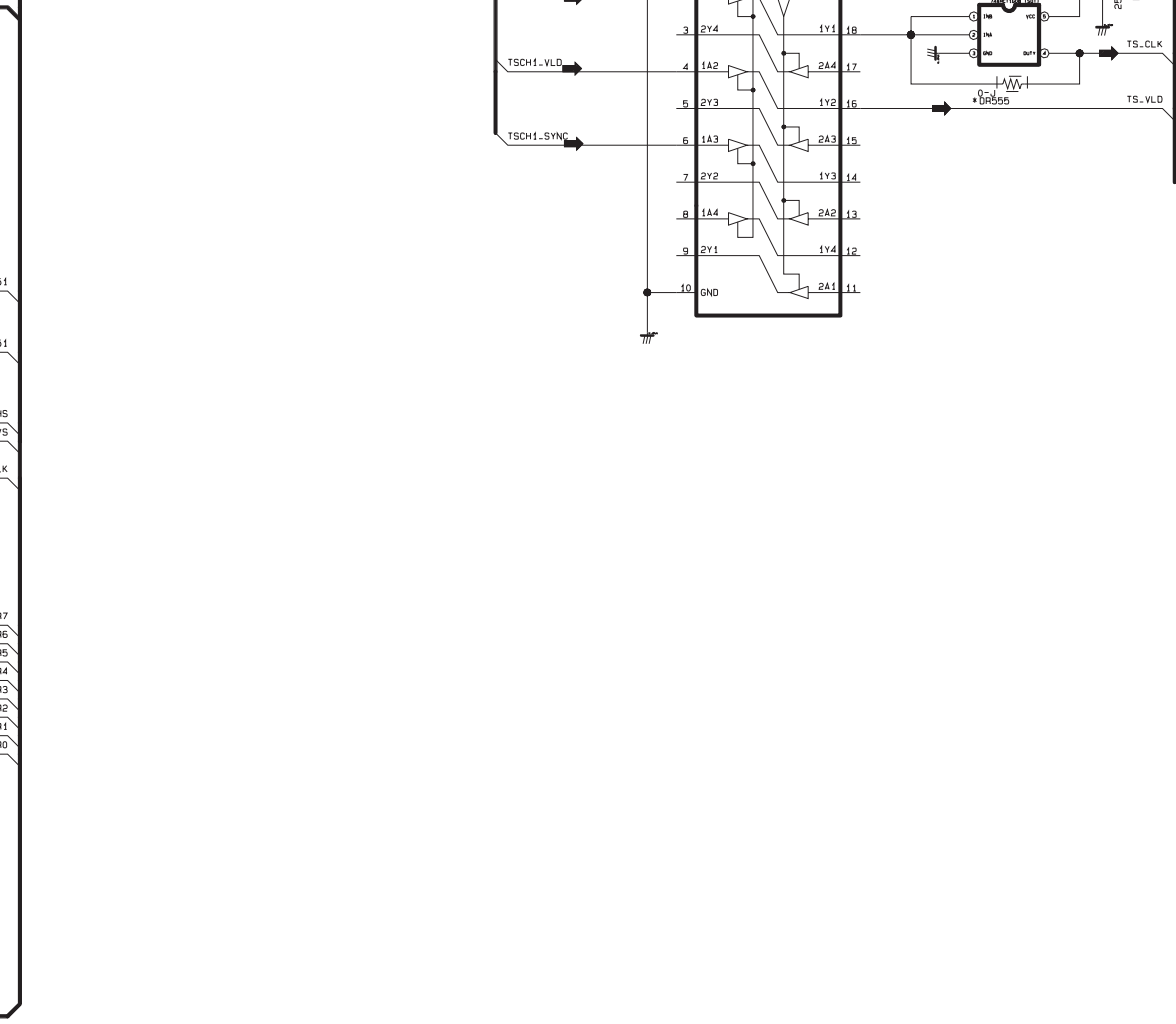
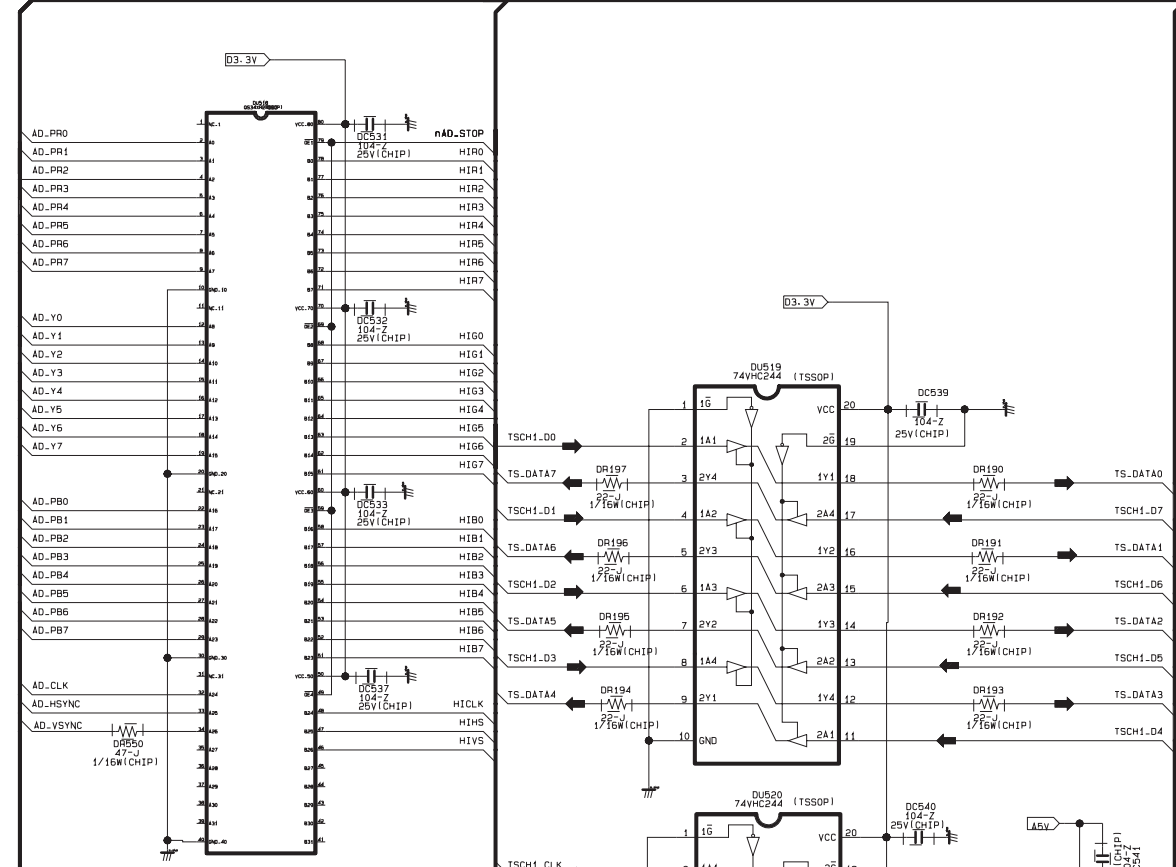
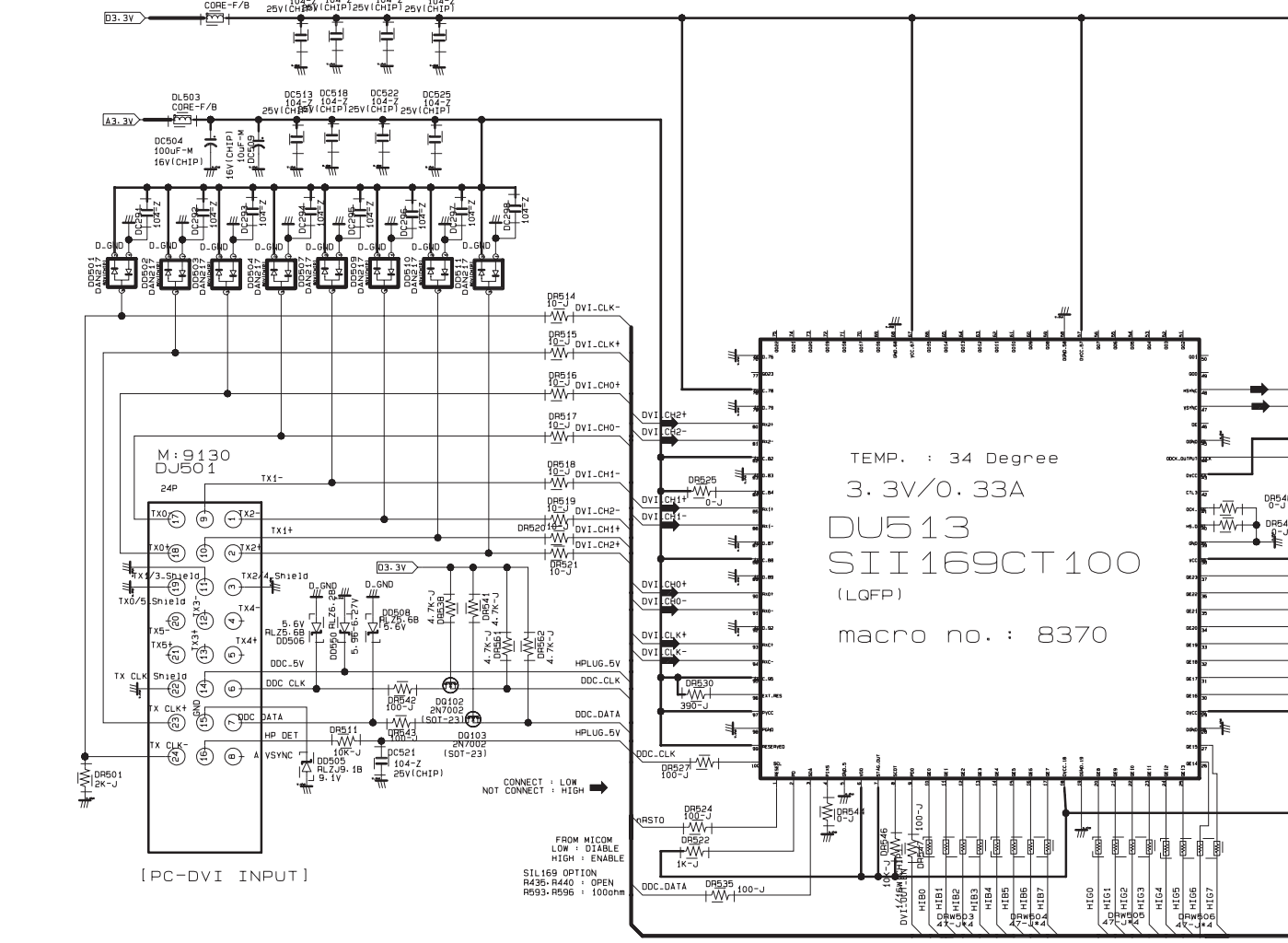
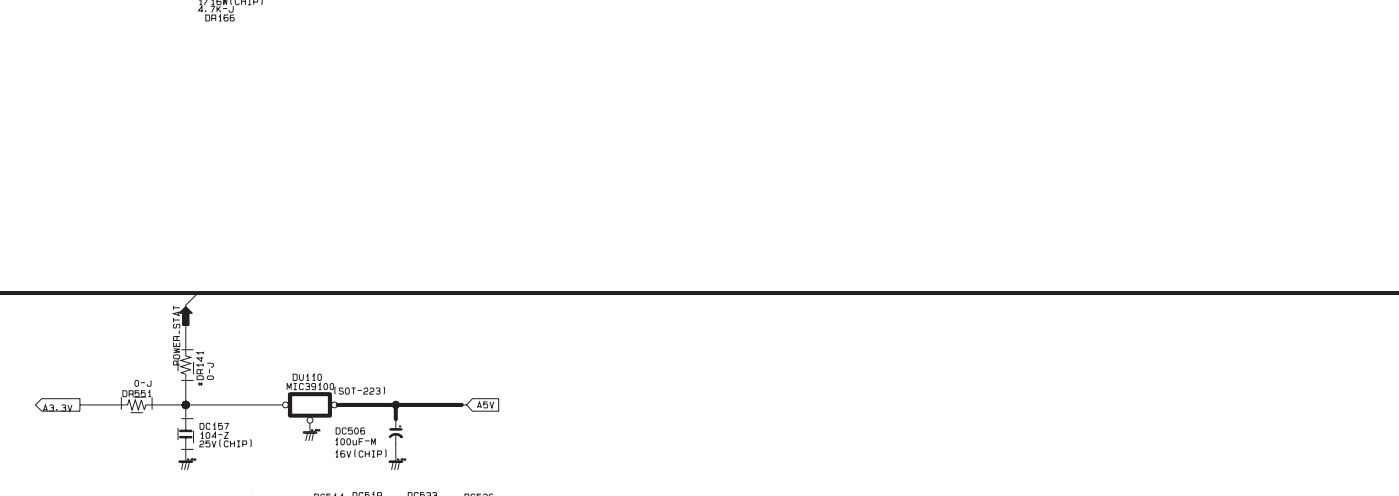
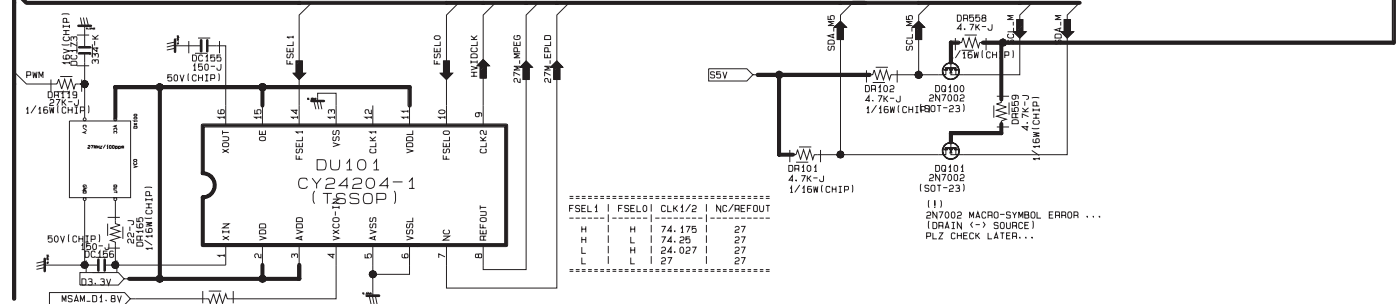
DU300
S5H2000X
(TBGA)

This drawing is property of SEC
Use or copy of this drawing without proper permission from the appropriate
technical-document managing department is prohibited.

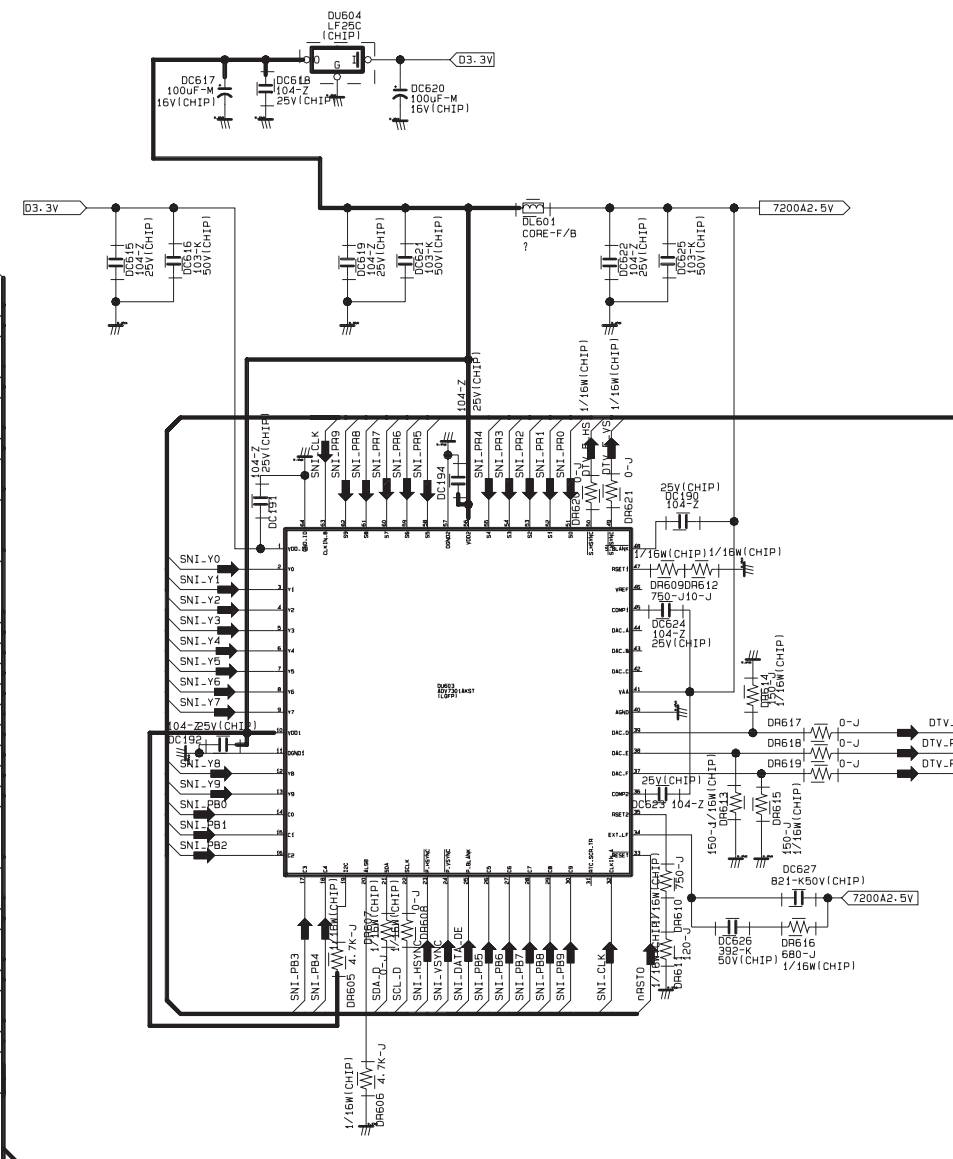
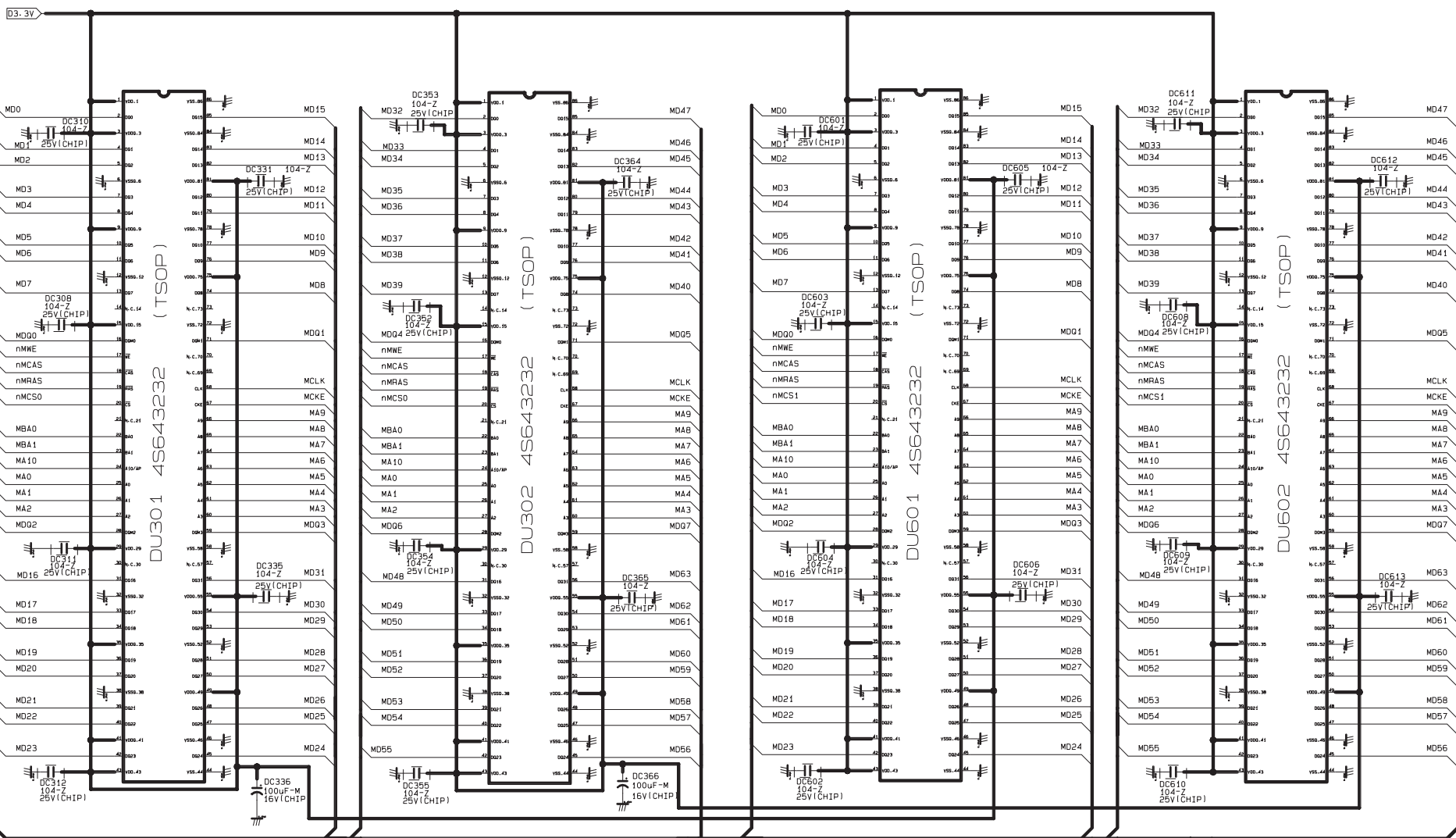


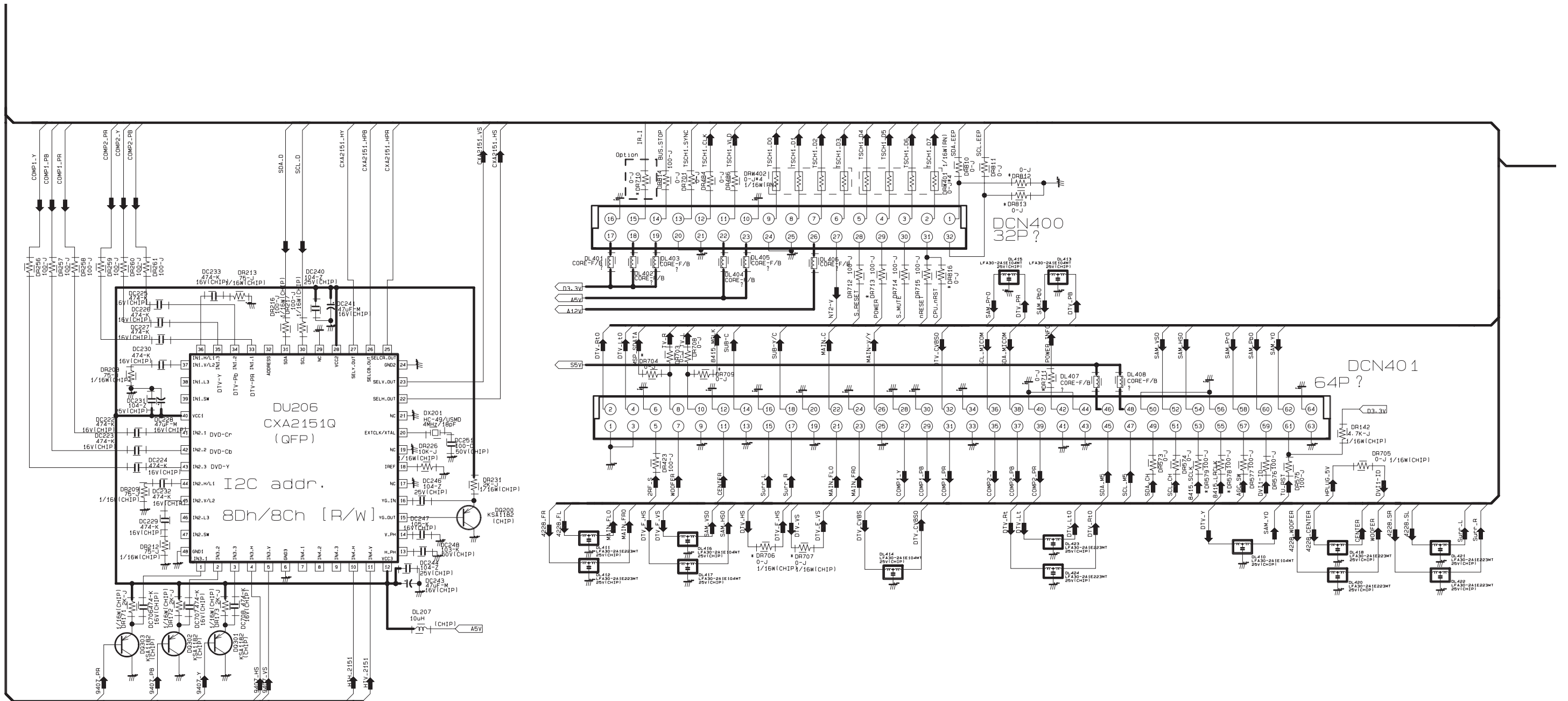
6-15 D-MDL-5

This drawing is property of SEC
Use or copy of this drawing without proper permission from the appropriate
technical-document managing department is prohibited.

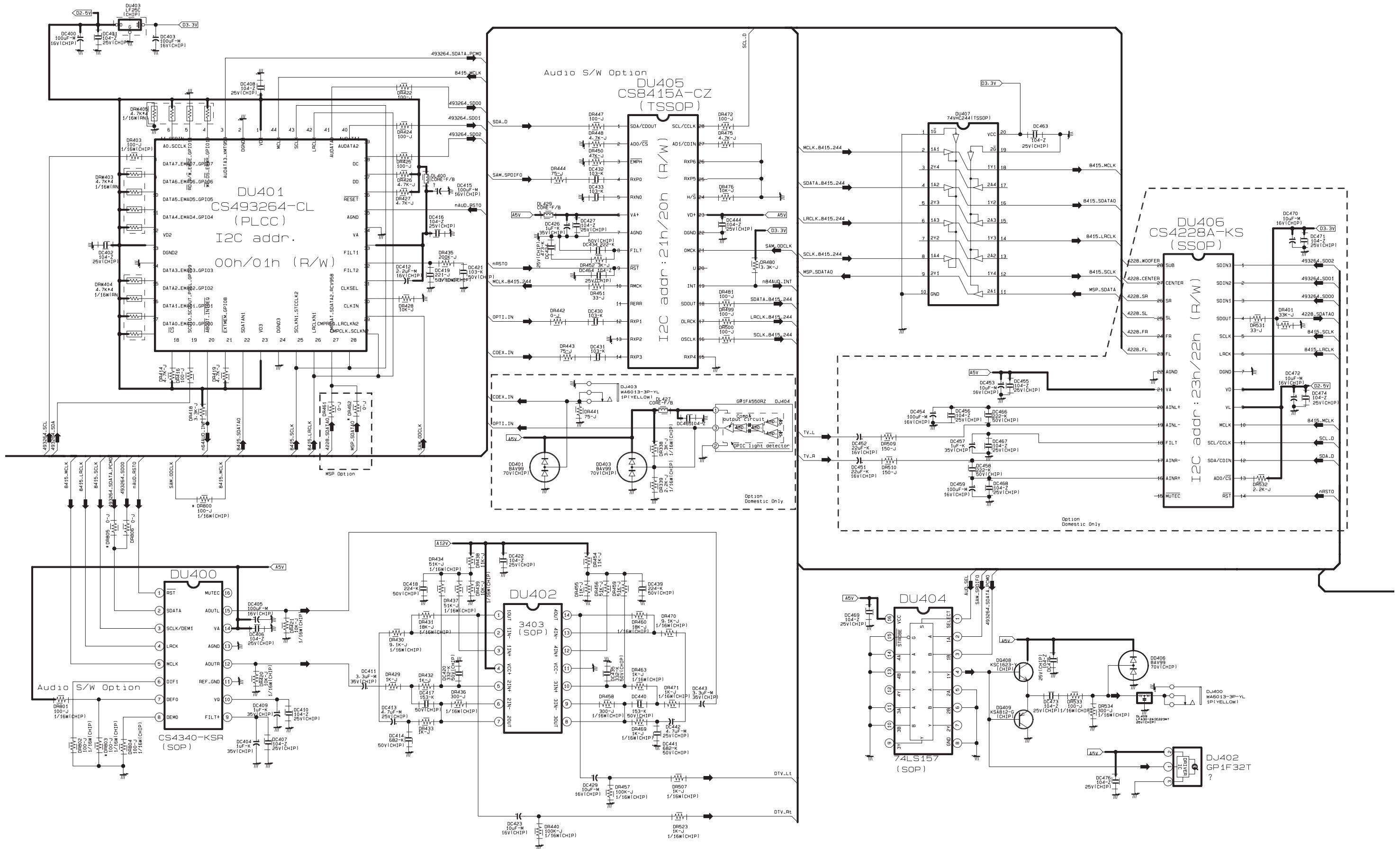


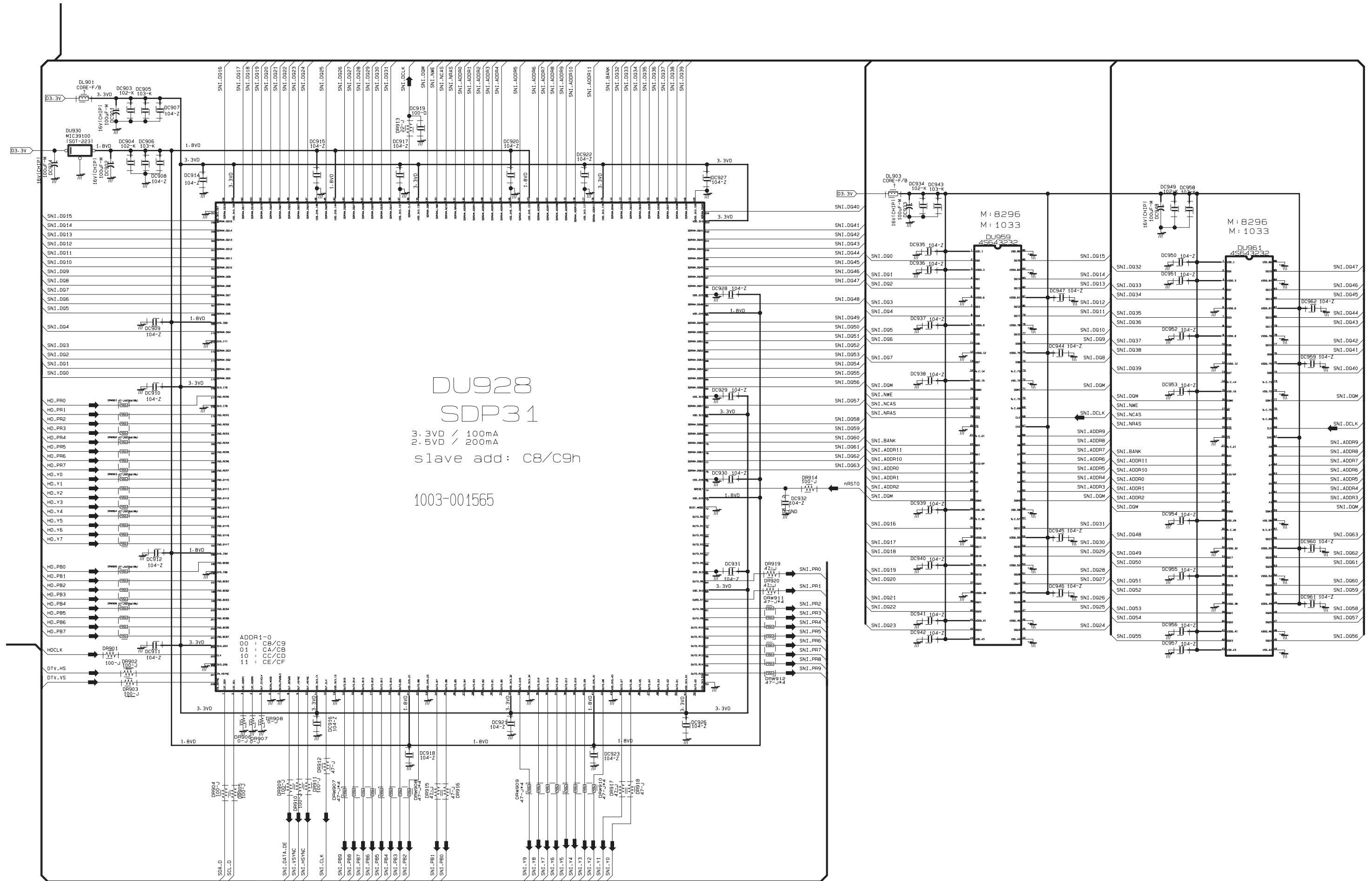
This drawing is property of SEC
 Use or copy of this drawing without proper permission from the appropriate
 technical-document managing department is prohibited.

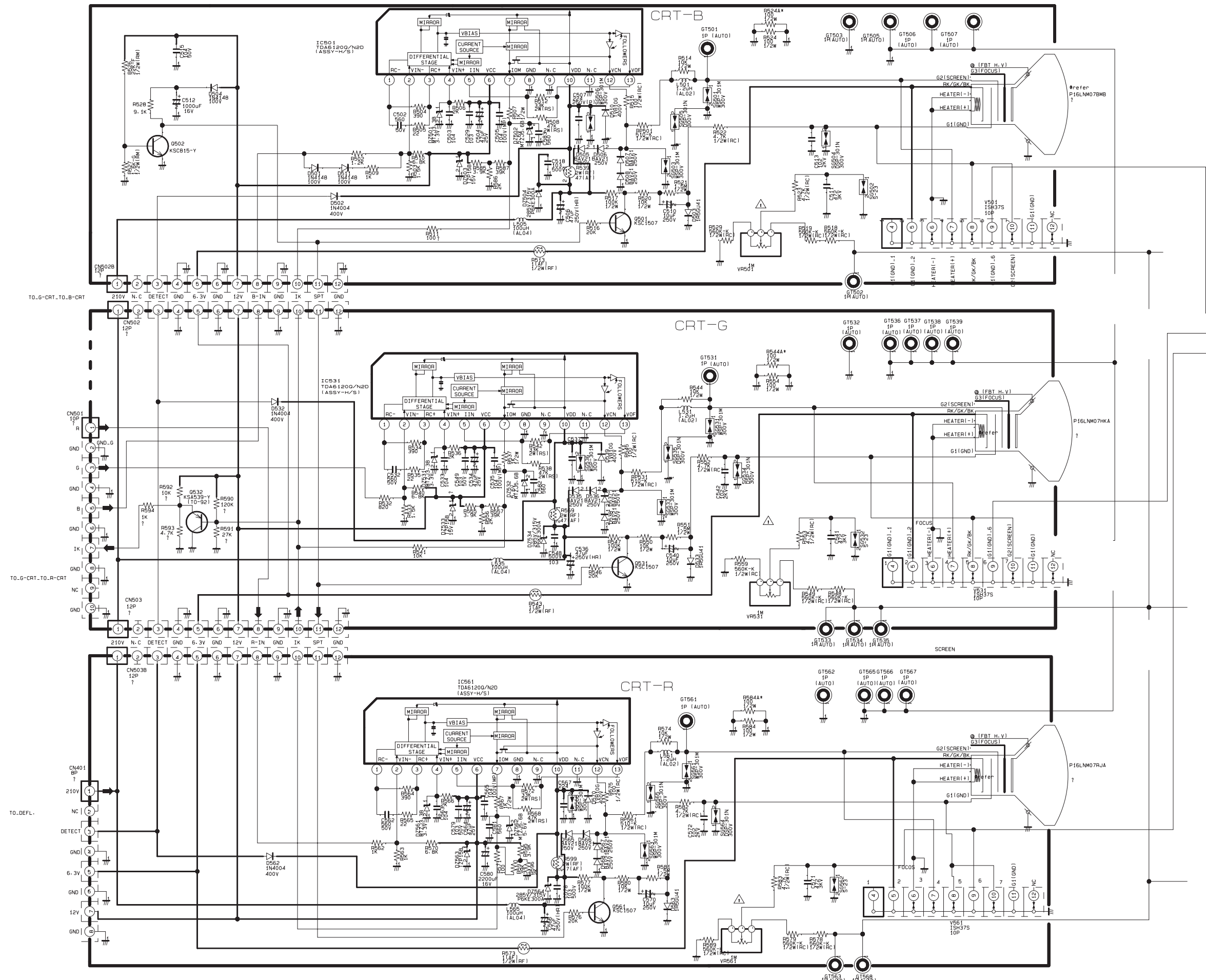




This drawing is property of SEC
Use or copy of this drawing without proper permission from the appropriate
technical-document managing department is prohibited.







6-21 VM MDL / CONTROL / AV SIDE / DY JACK / SENSOR

